

Minimalismo e tridimensio- nalità.

[Minimalism and 3D.]

lako

[LND]

AULIX lighting

návrhy osvětlení a prodej svítidel
inteligentní systémy, vypínače

SVĚTELNÉ STUDIO

Náměstí Na Sádkách 705
252 41 Dolní Břežany (Praha západ)

Telefon: +420 246 083 152

Mobil.: +420 702 061 783

E-mail: studio@aulix.cz

Web: www.aulix.cz

E-shop: <http://obchod.aulix.cz>

Sledujte nás také na sociálních sítích:



Definire l'architettura esterna, valorizzarla, personalizzarla, trasformarla.

Luce per spazi outdoor che si integra con l'architettura, la rende vivibile, le dona **volume** e **forma**. Quando necessario crea **atmosfera ipnotiche** o rilassanti, rese possibili da una **tecnica impeccabile**.

Un'illuminazione intelligente, ragionata, programmata.

Nulla è lasciato al caso, in dialogo perenne con la luce naturale.

Progetti illuminotecnici perfetti, grazie alla possibilità di prevedere un controllo di gestione che rende ottimale anche il più semplice dei prodotti.

[LND]

EN *Defining, enhancing, customizing and transforming external architecture.*

*Outdoor light that integrates with the architecture, makes the spaces livable, gives them **volume** and **shape**.*

*When necessary it creates **hypnotic** or relaxing **atmospheres**, made possible by an **excellent technique**.*

Intelligent, reasoned, programmed lighting. Nothing is left to chance, in continuous dialogue with the natural light. Perfect lighting designs, thanks to the possibility of providing a management control that makes even the simplest of products optimal.

8	lako • wall lamp
20	lako • bollard
33	accessories
34	general information
34	finishes
35	symbols
35	quality certifications

Minimalismo e tridimensio- nalità.

[Minimalism and 3D.]

lako

design by Landa R&D

lako

Una luce asimmetrica, quella di Lako, apparecchio mono o bi-emissione installabile a parete e perfetto per l'illuminazione funzionale delle superfici.
Una luce uniforme diffusa dallo schermo opale, un design moderno, funzionale e minimalista, perfettamente integrabile nel contesto di progettazione, grazie all'estrema adattabilità della finitura in vernice a polvere color graphite.
Tecnologico nella sua semplicità, minimal nella sua tridimensionalità: il corpo cilindrico di Lako, realizzato in alluminio pressofuso ed estruso, è estremamente resistente in condizioni outdoor particolarmente estreme.

EN *Lako provides asymmetrical light. A wall-mounted single or double emission luminaire, perfect for functional surface lighting. The uniform light diffuse by the opal screen, a modern, functional and minimalist design, perfectly integrated into the design context thanks to the great adaptability of the graphite powder paint finish. Technological in its simplicity, minimal in its 3D: the Lako's cylindrical body, made of die-cast and extruded aluminum, is highly resistant to extreme outdoor conditions.*

CE EAC



lako

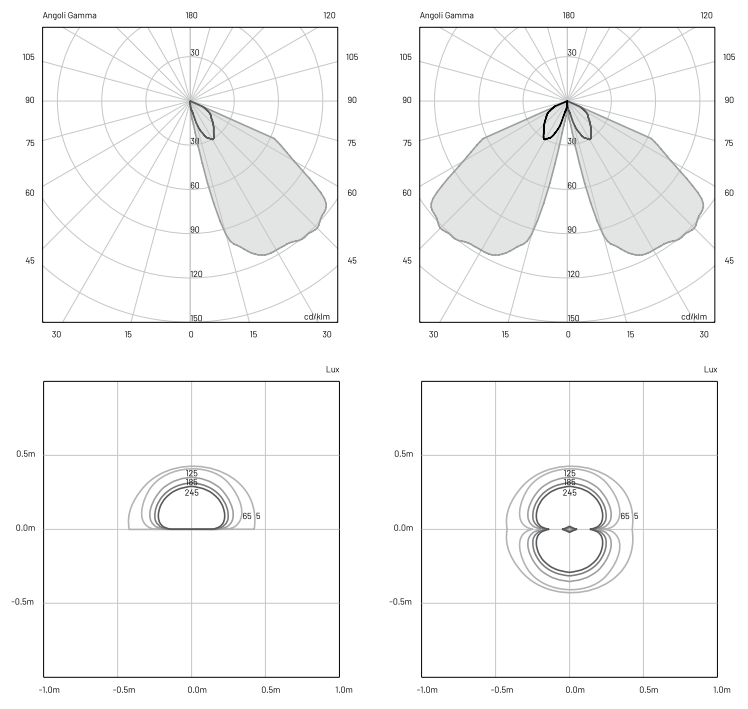
ASYMMETRIC • DOUBLE ASYMMETRIC

| 6W



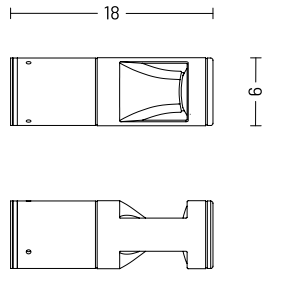
TECHNICAL SPECIFICATIONS

	ASYMMETRIC	DOUBLE ASYMMETRIC
Source lamp	LED 6 W	LED 6 W
Total wattage	6 W	6 W
Voltage	220-240 Vac, 50-60 Hz	220-240 Vac, 50-60 Hz
Control	On/Off	On/Off
Light colour	3000 K	3000 K
Luminous flux *Source flux	108 lm (600 lm*)	216 lm (600 lm*)
Luminous efficacy	18 lm/W	36 lm/W
McADAM steps	3	3
Beam	Asymmetric	Double Asymmetric
CRI	> 90	> 90
Life time	L70 > 50.000 h Ta 40°C	L70 > 50.000 h Ta 40°C
Energy efficiency class	A++	A++
IP rating	IP 65	IP 65
IK rating	IK 08	IK 08
Insulation class	II	II



MATERIALS

Body	Die-cast aluminium EN47100 and extruded aluminium EN AW6060
Diffuser	Opal polycarbonate
Finishing	Polyester powder paint



ORDER CODE

LA 2 0 018 _ HB 10 _

Finishing	L	Graphite	
	V	Oxide	
Beam	A	Asymmetric	
	4	Double Asymmetric	
Example	LA 2 0 018 A HB 10 L		

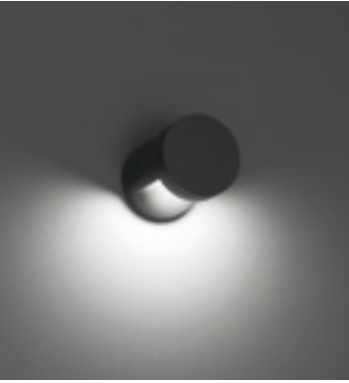




lako

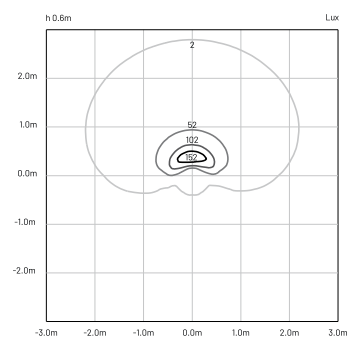
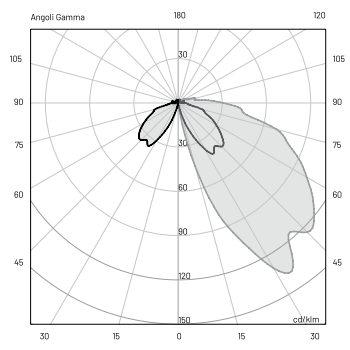
SINGLE DIFFUSE

| 9W



TECHNICAL SPECIFICATIONS

SINGLE DIFFUSE	
Source lamp	LED 8 W
Total wattage	9 W
Voltage	220-240 Vac, 50-60 Hz
Control	On/Off
Light colour	3000 K
Luminous flux *Source flux	260 lm (1125 lm*)
Luminous efficacy	29 lm/W
McADAM steps	3
Beam	Diffuse
CRI	> 90
Life time	L70 > 50.000 h Ta 40°C
Energy efficiency class	A++
IP rating	IP 65
IK rating	IK 10
Insulation class	I



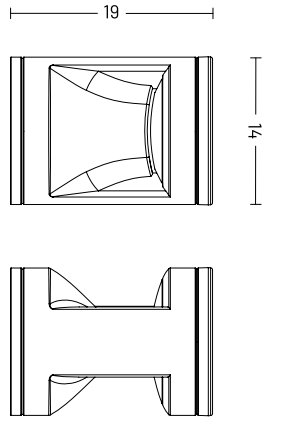
MATERIALS

Body	Die-cast aluminium EN47100
Diffuser	Opal polycarbonate
Finishing	Polyester powder paint

ORDER CODE

LA 70 PARAH B 10 _

Finishing	L	Graphite	●
	V	Oxide	●
Example	LA 70 PARAH B 10 L		



lako

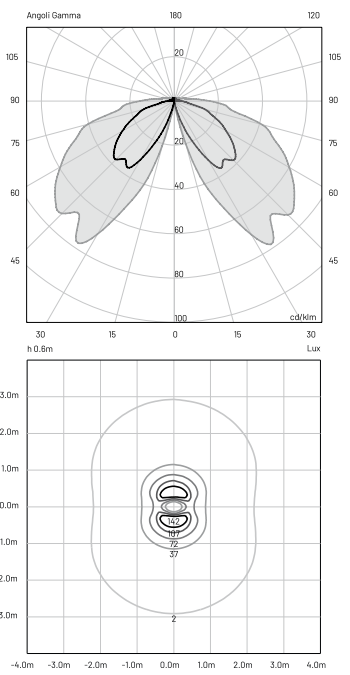
DOUBLE DIFFUSE

| 18.5W



TECHNICAL SPECIFICATIONS

DOUBLE DIFFUSE	
Source lamp	LED 16 W
Total wattage	18.5 W
Voltage	220-240 Vac, 50-60 Hz
Control	On/Off
Light colour	3000 K
Luminous flux *Source flux	530 lm (2050 lm*)
Luminous efficacy	29 lm/W
McADAM steps	3
Beam	Diffuse
CRI	> 90
Life time	L70 > 50.000 h Ta 40°C
Energy efficiency class	A++
IP rating	IP 65
IK rating	IK 10
Insulation class	I



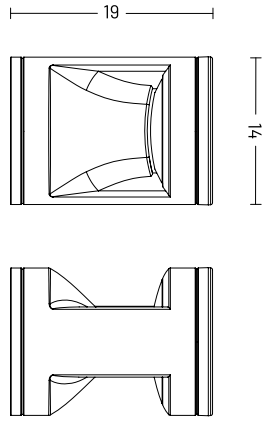
MATERIALS

Body	Die-cast aluminium EN47100
Diffuser	Opal polycarbonate
Finishing	Polyester powder paint

ORDER CODE

LA 70 PAR 4 H B 10 _

Finishing	L Graphite	●
	V Oxide	●
Example	LA 70 PAR 4 H B 10 L	



Minimalismo e tridimensio- nalità.

[Minimalism and 3D.]

lako

design by Landa R&D



lako

Una luce asimmetrica a mono o bi-emissione, quella di Lako, bollard disponibile con altezza 18, 40 o 60 cm e perfetto per l'illuminazione funzionale dei camminamenti o dei vialetti d'accesso situati in parchi e giardini. Lo schermo è opale, il design è moderno, funzionale e minimalista, e sempre perfettamente integrabile nel contesto di progettazione, grazie all'estrema adattabilità della finitura in vernice a polvere color graphite.

Tecnologico nella sua semplicità, minimal nella sua tridimensionalità: il corpo cilindrico di Lako è resistente e realizzato in alluminio pressofuso ed estruso.

EN *An asymmetrical light with single or double emission, a bollard available in three different heights 18, 40 or 60 cm and perfect for the functional lighting of walkways or driveways of parks and gardens. The screen is opal, the design is modern, functional and minimalist and can always be perfectly integrated into the design context, thanks to the very high adaptability of the graphite powder paint finish. Technological but simple, minimal in its 3D: Lako's cylindrical body is resistant and made of die-cast extruded aluminum.*

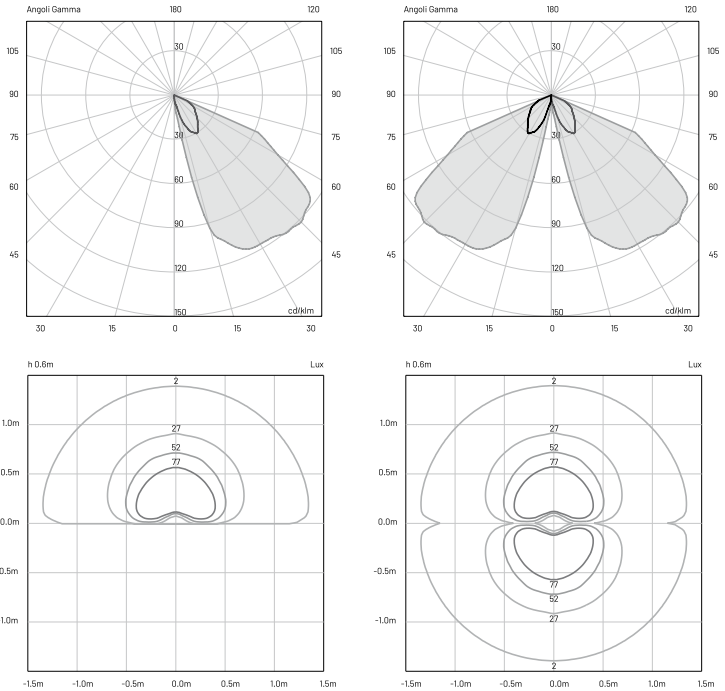
CE EAC





TECHNICAL SPECIFICATIONS

	SINGLE ASYMMETRIC	DOUBLE ASYMMETRIC
Source lamp	LED 6 W	LED 6 W
Total wattage	6 W	6 W
Voltage	220-240 Vac, 50-60 Hz	220-240 Vac, 50-60 Hz
Control	On/Off	On/Off
Light colour	3000 K	3000 K
Luminous flux *Source flux	108 lm (600 lm*)	216 lm (600 lm*)
Luminous efficacy	18 lm/W	36 lm/W
McADAM steps	3	3
Beam	Asymmetric	Double asymmetric
CRI	> 90	> 90
Life time	L70 > 50.000 h Ta 40°C	L70 > 50.000 h Ta 40°C
Energy efficiency class	A++	A++
IP rating	IP 65	IP 65
IK rating	IK 08	IK 08
Insulation class	II	II



MATERIALS

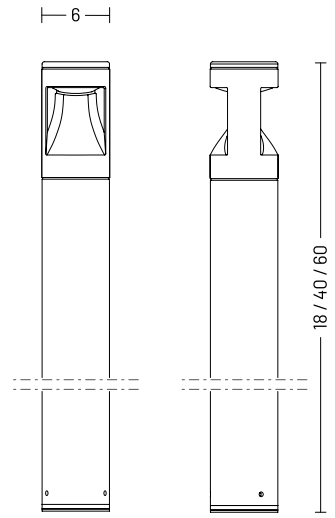
Body	Die-cast aluminium EN47100 and extruded aluminium EN AW6060
Diffuser	Opal polycarbonate
Finishing	Polyester powder paint

ORDER CODE

LA 20 _ _ HB 10 _

Finishing	L	Graphite	●
	V	Oxide	●
Beam	A	Single asymmetric	
	4	Double asymmetric	
Height	018	18 cm	
	040	40 cm	
	060	60 cm	

Example LA 20 018 A HB 10 L



AVAILABLE ACCESSORIES

Code	Description	Page
00A409	Root mounting kit	33



lako

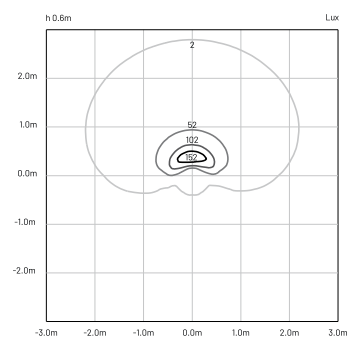
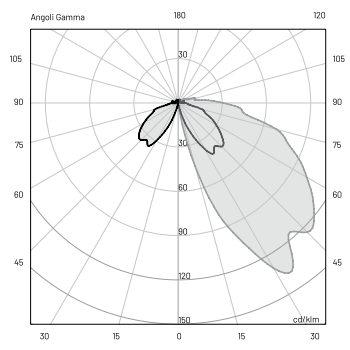
SINGLE DIFFUSE

| 9W



TECHNICAL SPECIFICATIONS

SINGLE DIFFUSE	
Source lamp	LED 8 W
Total wattage	9 W
Voltage	220-240 Vac, 50-60 Hz
Control	On/Off
Light colour	3000 K
Luminous flux *Source flux	260 lm (1125 lm*)
Luminous efficacy	29 lm/W
McADAM steps	3
Beam	Diffuse
CRI	> 90
Life time	L70 > 50.000 h Ta 40°C
Energy efficiency class	A++
IP rating	IP 65
IK rating	IK 10
Insulation class	I



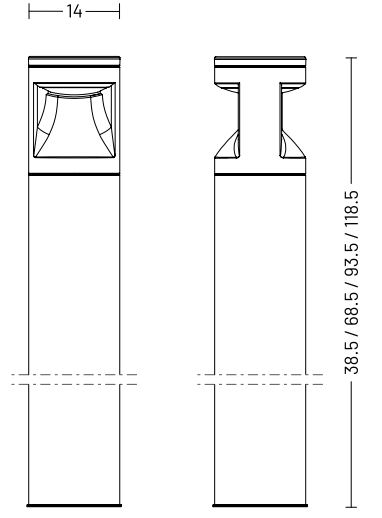
MATERIALS

Body	Die-cast aluminium EN47100 and extruded aluminium EN AW6060
Diffuser	Opal polycarbonate
Finishing	Polyester powder paint

ORDER CODE

LA 70 _ _ _ AHB 10 _

Finishing	L	Graphite	●
	V	Oxide	●
Height	040	38.5 cm	
	070	68.5 cm	
	095	93.5 cm	
	120	118.5 cm	
Example	LA 70 040 AHB 10 L		



INCLUDED ACCESSORIES

Code	Description	Page
0404M004	Single connection IP68	33

AVAILABLE ACCESSORIES

Code	Description	Page
00A400	Root mounting kit	33
00A400.01P	Anchor bolt	33
0404M003	Loop-in loop-out IP68	33





lako

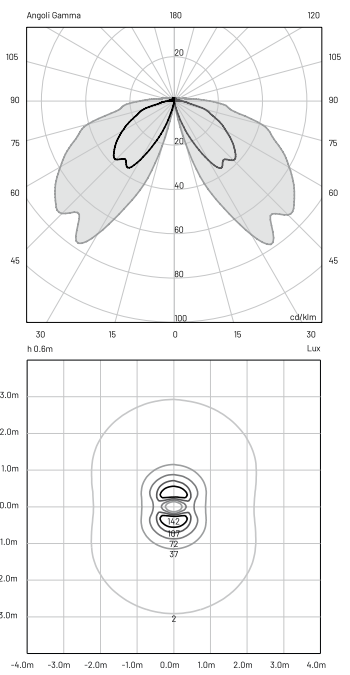
DOUBLE DIFFUSE

| 18.5W



TECHNICAL SPECIFICATIONS

DOUBLE DIFFUSE	
Source lamp	LED 16 W
Total wattage	18.5 W
Voltage	220-240 Vac, 50-60 Hz
Control	On/Off
Light colour	3000 K
Luminous flux *Source flux	530 lm (2050 lm*)
Luminous efficacy	29 lm/W
McADAM steps	3
Beam	Diffuse
CRI	> 90
Life time	L70 > 50.000 h Ta 40°C
Energy efficiency class	A++
IP rating	IP 65
IK rating	IK 10
Insulation class	I



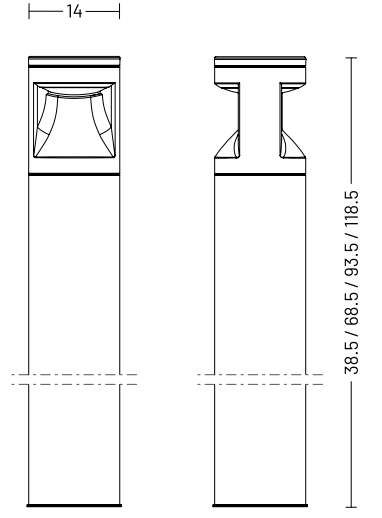
MATERIALS

Body	Die-cast aluminium EN47100 and extruded aluminium EN AW6060
Diffuser	Opal polycarbonate
Finishing	Polyester powder paint

ORDER CODE

LA 70 _ _ _ 4 H B 10 _

Finishing	L Graphite	●
	V Oxide	●
Height	040	38.5 cm
	070	68.5 cm
	095	93.5 cm
	120	118.5 cm
Example	LA 70 040 4 H B 10 L	



INCLUDED ACCESSORIES

Code	Description	Page
0404M004	Single connection IP68	33

AVAILABLE ACCESSORIES



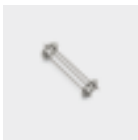
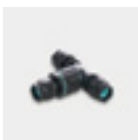

Code	Description	Page
00A400	Root mounting kit	33
00A400.01P	Anchor bolt	33
0404M003	Loop-in loop-out IP68	33





accessories

LAKO | BOLLARD

<i>code</i>	<i>description</i>	<i>note</i>
	00A400	Root mounting kit
	00A400.01P	Anchor bolt
	00A409	Root mounting kit
	0404M003	Loop-in loop-out IP68
	0404M004	Single connection IP68

general information

GRADO DI PROTEZIONE PROTECTION GRADE

IP 65

Apparecchio stagno alla polvere e protetto da getti di acqua
Luminaire dust-tight and protected against water jets

RESISTENZA AGLI URTI RESISTANCE TO CRASHES

IK 08

Apparecchio protetto contro un'energia d'impatto di 5 Joule
Luminaire protected against an impact energy of 5 Joules

IK 10

Apparecchio protetto contro un'energia d'impatto di 20 Joule
Luminaire protected against an impact energy of 20 Joules

CLASSE DI ISOLAMENTO INSULATION CLASS

CLASS I

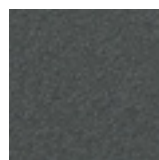
Apparecchio dotato di isolamento di base. Protezione: collegamento delle parti metalliche accessibili alla terra di protezione.
Luminaire with basic insulation. Protection: connection of the accessible metal parts to the earthing protection.

CLASS II

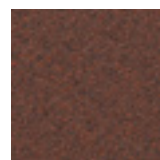
Apparecchio dotato di doppio isolamento. Protezione: mediante isolamento supplementare.
Luminaire with double insulation. Protection: through additional insulation.

finishes

VERNICIATURA CON POLVERI DI POLIESTERE POLYESTER POWDER PAINT



L Grafite
Graphite



V Oxide
Oxide

symbols

EMISSIONE ASSIMMETRICA ASYMMETRIC BEAM



EMISSIONE DOPPIA ASIMMETRICA DOUBLE ASYMMETRIC BEAM



quality certifications



CE

Indica che il prodotto è certificato secondo le norme europee
Indicates that the product is certified according to European standards



EAC

Indica che il prodotto si adegua a tutte le normative tecniche delle procedure di valutazione dell'Unione doganale eurasiatica
Indicates that the product conforms to all technical regulations of the evaluation procedures of the Eurasian Customs Union